

4

3

2

1

ZONE	REV	DESCRIPTION	DATE	APPVD
	1	RELEASE FOR PROTOTYPE	04-Oct-14	

D

C

B

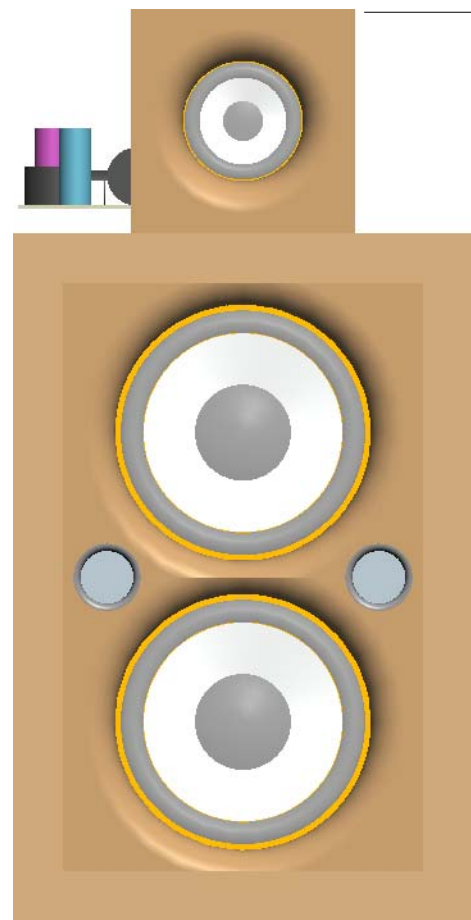
A

D

C

B

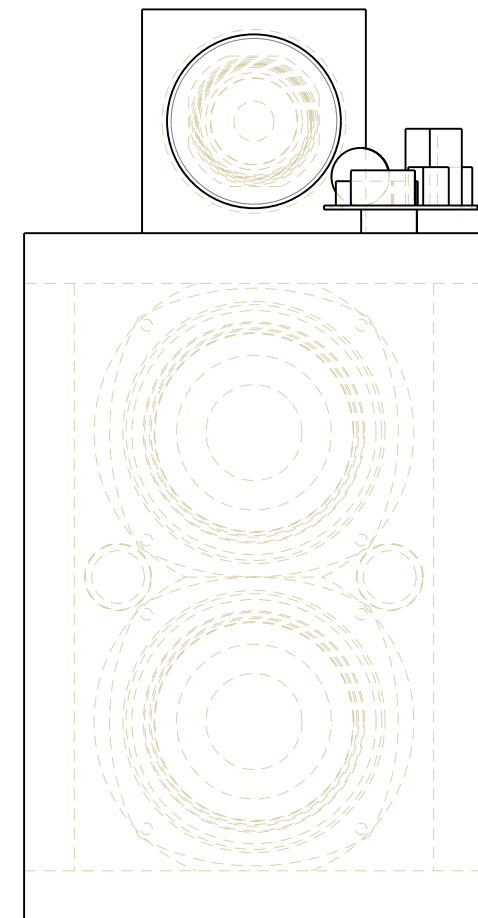
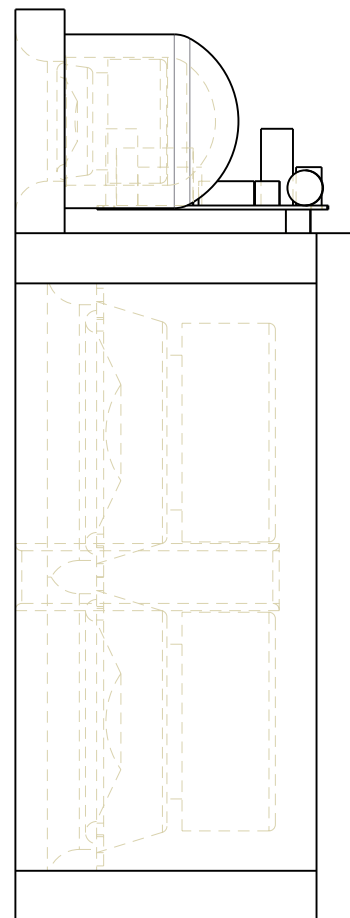
A



362,14  
[14-1/4]

182,63  
[7-3/16]

139,57  
[5-1/2]



<p><b>CONFIDENTIAL</b></p> <p>INFORMATION CONTAINED HEREIN IS THE PROPERTY OF BLACK ROSE TECHNOLOGY AND SHALL NOT BE REPRODUCED OR OTHERWISE DISTRIBUTED WITHOUT THE EXPRESS PERMISSION OF BLACK ROSE TECHNOLOGY</p>	TOLERANCES		MATERIAL	DRAWN	DATE	<p><b>BLACK ROSE TECHNOLOGY</b> 5233 FOOTHILL BLVD., OAKLAND, CA 94610 (510) 290-3849</p>
	.XX	±.010	WOOD	D. GESSEL	04-Oct-14	
	.XXX	±.005	FINISH	CHECKED	DATE	<p>TITLE</p> <p>DUAL 80MM ENCL</p>
	.XXX	±.0005	NA	APPROVED	DATE	
	ANGLES	±.1	DO NOT SCALE DRAWING		UNLESS SPECIFIED: 1. ALL DIMENSIONS APPLY AFTER FINISH. 2. REMOVE ALL BURRS AND SHARP EDGES. (.005 MAX R. OR CHAMFER) 3. MIN. BEND RADIUS, MIN. BEND RELIEF. 4. NO TOOL MARKS. 5. TOL OF ±.003" PER INCH. 6. MACHINED FINISH: ✓	
	<p>INTERPRET PER ANSI Y14.5</p> <p>UNLESS OTHERWISE SPECIFIED, DIMENSIONS ARE IN INCHES</p>		DRAWING NUMBER		REV	
		BRT-SPKR-001		3		
		SIZE	SCALE	SHEET		
		B	0.333	1 OF 7		

4

3

2

1

4

3

2

1

ZONE	REV	DESCRIPTION	DATE	APPVD
		SEE SHEET 1		

D

D

C

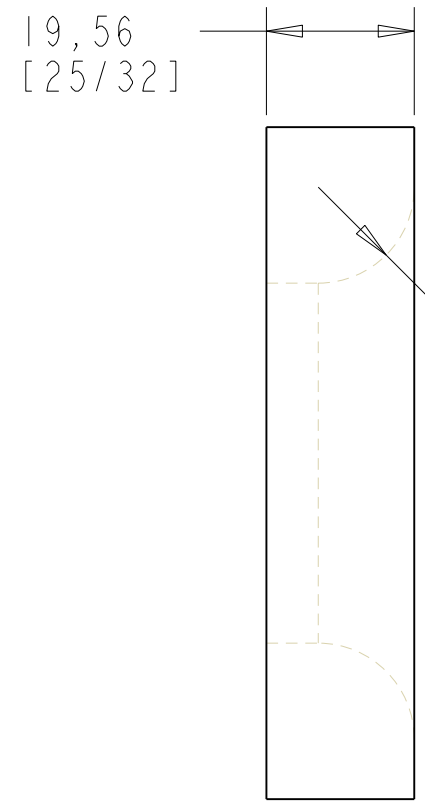
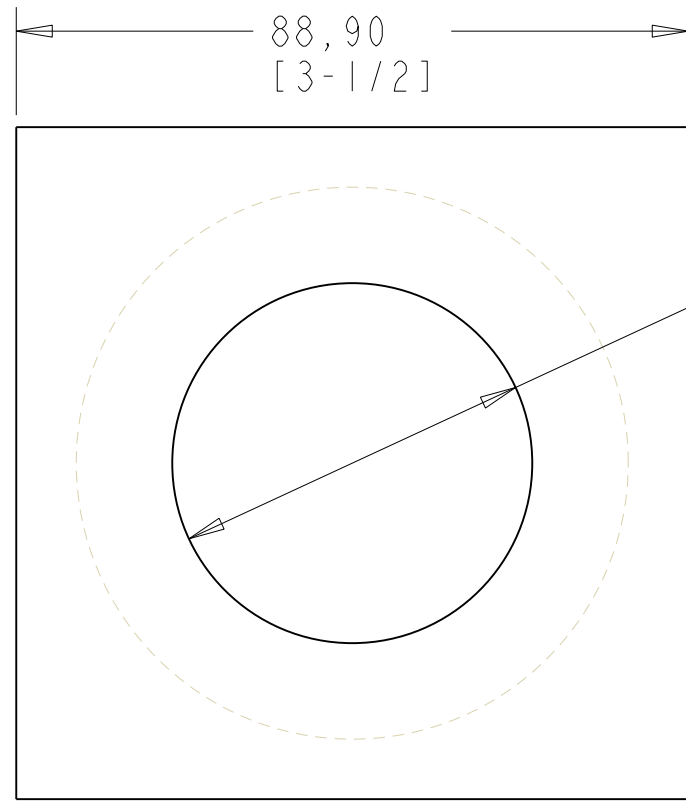
C

B

B

A

A



35MM FRONT PANEL (DUAL 80MM SYSTEM)

**BLACK ROSE TECHNOLOGY**  
 5233 FOOTHILL BLVD., OAKLAND, CA 94610  
 (510) 290-3849

TITLE		
DUAL 80MM ENCL		
DRAWING NUMBER		REV
BRT-SPKR-001		3
SIZE	SCALE	SHEET
B	1.000	2 OF 7

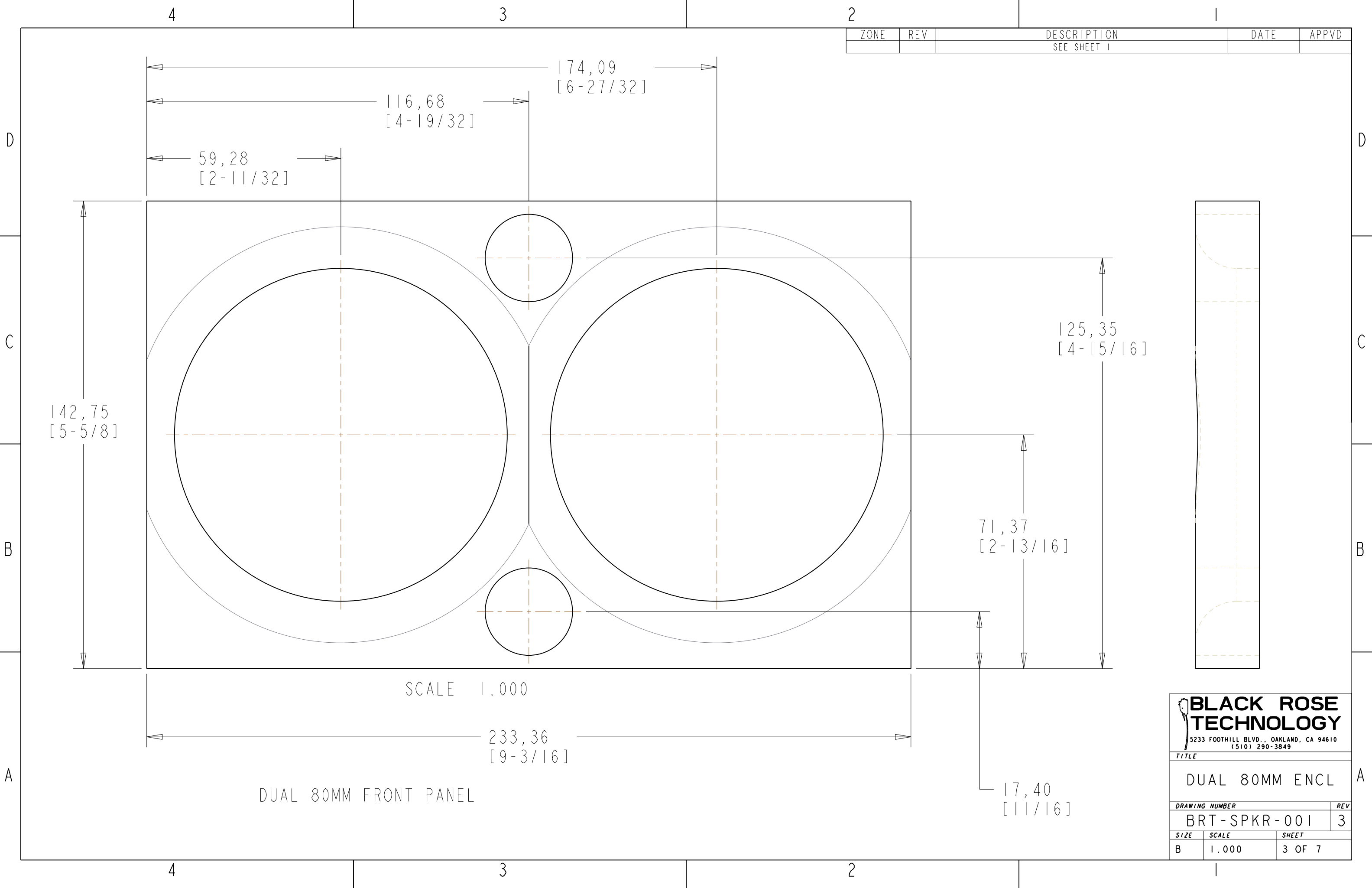
4

3

2

1

ZONE	REV	DESCRIPTION	DATE	APPVD
		SEE SHEET 1		



DUAL 80MM FRONT PANEL

**BLACK ROSE TECHNOLOGY**  
 5233 FOOTHILL BLVD., OAKLAND, CA 94610  
 (510) 290-3849

TITLE  
 DUAL 80MM ENCL

DRAWING NUMBER	REV	
BRT-SPKR-001	3	
SIZE	SCALE	SHEET
B	1.000	3 OF 7

4

3

2

1

ZONE	REV	DESCRIPTION	DATE	APPVD
		SEE SHEET 1		

D

D

C

C

B

B

119,63  
[4-23/32]

233,36  
[9-3/16]

DUAL 80MM SIDE PANEL

A

A

4

3

2

1

**BLACK ROSE TECHNOLOGY**  
 5233 FOOTHILL BLVD., OAKLAND, CA 94610  
 (510) 290-3849

TITLE

DUAL 80MM ENCL

DRAWING NUMBER REV

BRT-SPKR-001 3

SIZE SCALE SHEET

B 1.000 4 OF 7

4

3

2

1

ZONE	REV	DESCRIPTION	DATE	APPVD
		SEE SHEET 1		

D

D

C

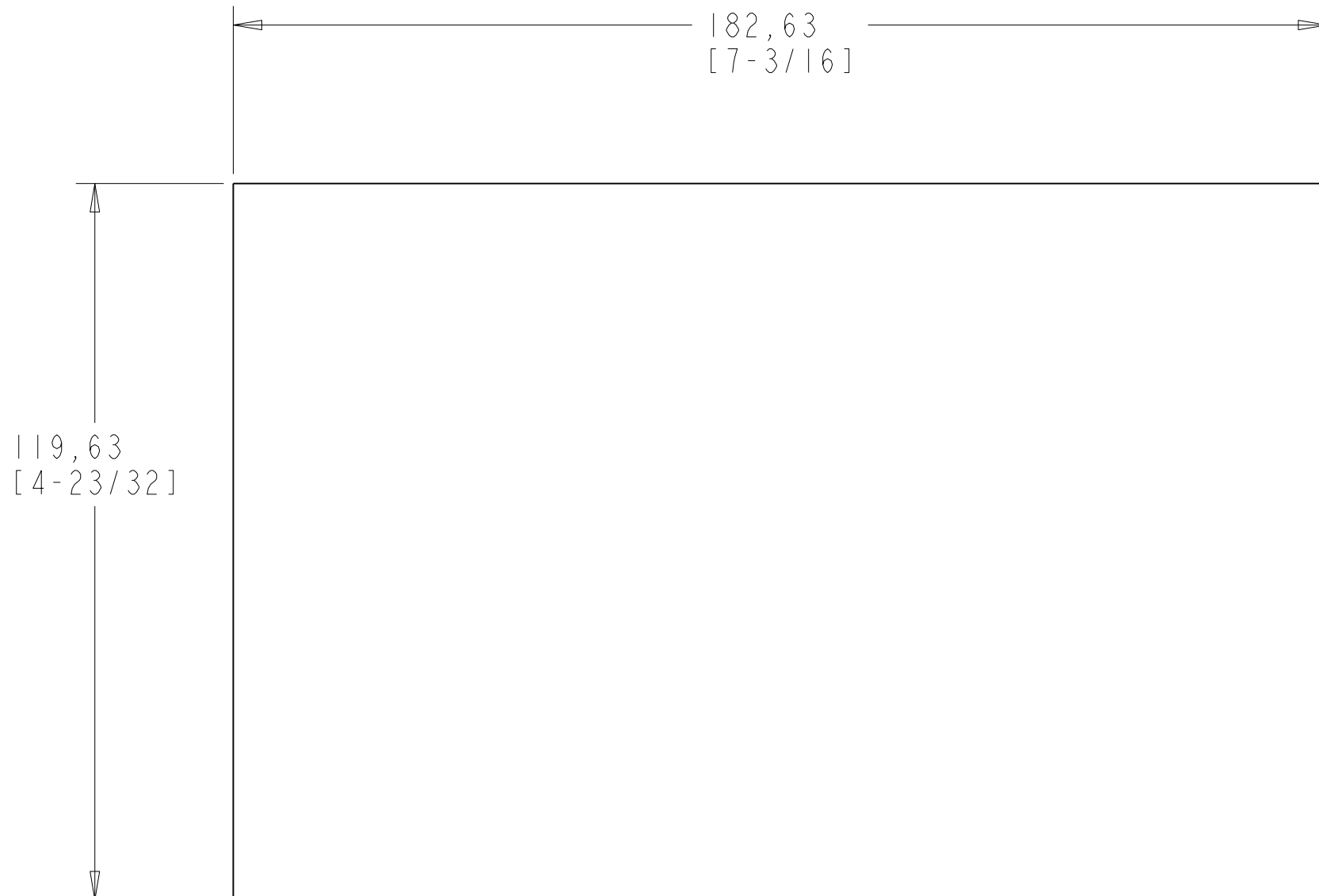
C

B

B

A

A



SCALE 1.000

DUAL 80MM TOP/BOTTOM PANEL

**BLACK ROSE TECHNOLOGY**  
 5233 FOOTHILL BLVD., OAKLAND, CA 94610  
 (510) 290-3849

TITLE		
DUAL 80MM ENCL		
DRAWING NUMBER		REV
BRT-SPKR-001		3
SIZE	SCALE	SHEET
B	1.000	5 OF 7

4

3

2

1

4

3

2

1

ZONE	REV	DESCRIPTION	DATE	APPVD
		SEE SHEET 1		

D

D

C

C

B

B

A

A

273,24  
[10-3/4]

182,63  
[7-3/16]

SCALE 1.000

DUAL 80MM BACK PANEL

**BLACK ROSE TECHNOLOGY**  
 5233 FOOTHILL BLVD., OAKLAND, CA 94610  
 (510) 290-3849

TITLE		
DUAL 80MM ENCL		
DRAWING NUMBER	REV	
BRT-SPKR-001	3	
SIZE	SCALE	SHEET
B	1.000	6 OF 7

4

3

2

1

4

3

2

1

ZONE	REV	DESCRIPTION	DATE	APPVD
		SEE SHEET 1		

D

C

B

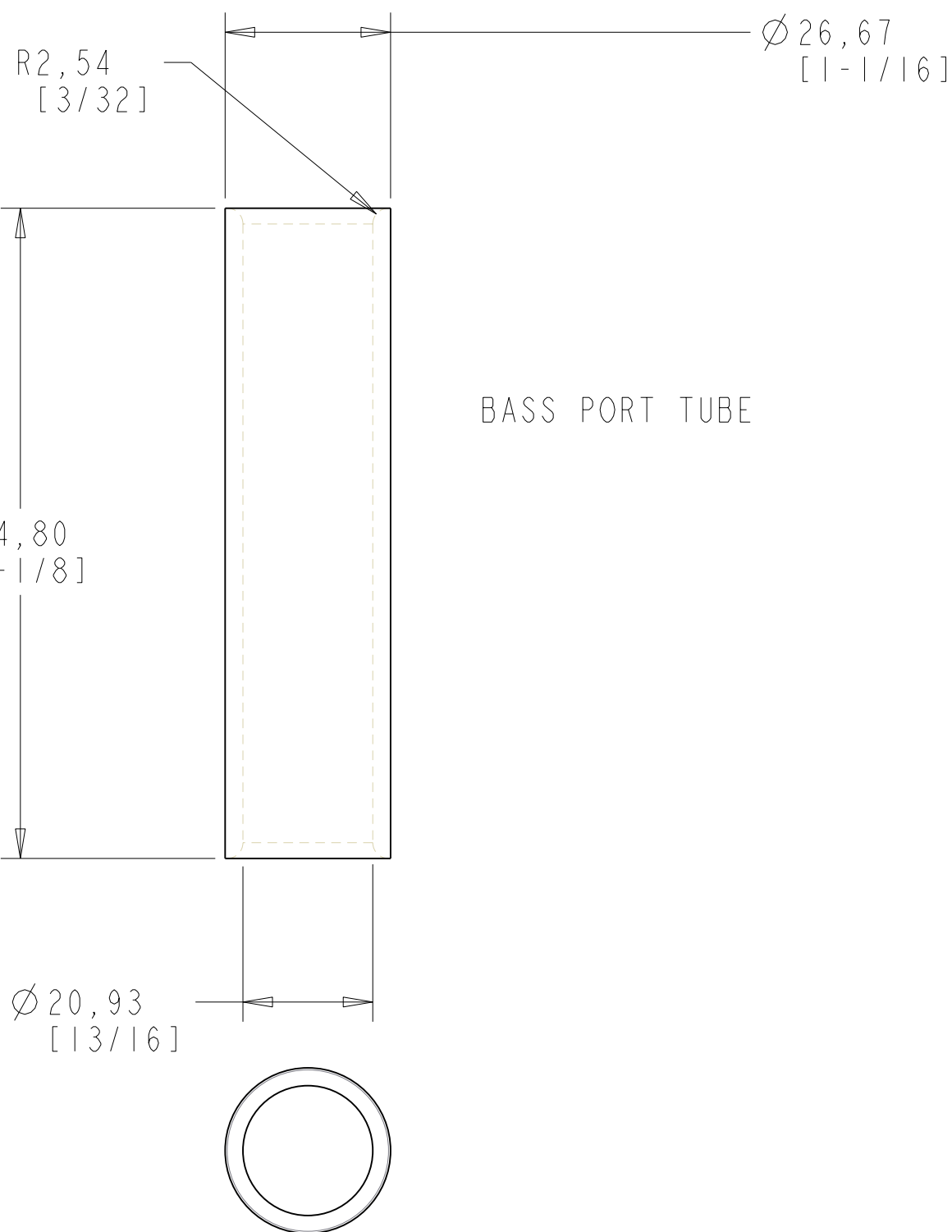
A

D

C

B

A



BASS PORT TUBE

[HTTP://WWW.ALLELECTRONICS.COM/MAKE-A-STORE/ITEM/XVR-21/2-WAY-CROSSOVER-INFINITY/1.HTML](http://www.allelectronics.com/make-a-store/item/xvr-21/2-way-crossover-infinity/1.html)  
 CROSS OVER FREQUENCY  
 3800HZ CROSSOVER  
 LOW-PASS: 18DB, 8 OHM  
 HIGH-PASS: 18DB, 4 OHM

WOOFER: PN 304-1150001-00 22 JUL 2000  
 80MM CONE DIA = 8CM  
 FS = 58HZ  
 RE = 3.04 OHMS  
 QMS = 1.629  
 QES = 0.26  
 QTS = 0.224  
 CMS = 0.001222  
 VAS = 4.322 (LITERS) 264 CUBIC INCHES  
 EBP = 177.8

NOMINAL COIL RESISTANCE @ 385HZ (MID LINEAR BAND) 3.19 OHMS  
 NOMINAL COIL INDUCTANCE (@ 1KHZ) 0.448 MHENRY

[HTTP://WWW.KBAPPS.COM/AUDIO/SPEAKERDESIGN/CALCULATORS/DUALDRIVERVENTEDENCLOSURECALCULATOR.PHP](http://www.kbapps.com/audio/speakerdesign/calculators/dualdriverventedenclosurecalculator.php)

TARGET VOLUME 1.78 LITERS = 108 CUBIC INCHES

DRIVER VOLUME (80MM) = 26.25 CUBIC INCHES = 0.43 LITERS  
 CROSS OVER VOLUME = 2.93 CUBIC INCHES = 0.05 LITERS  
 SUM = 0.91 LITERS  
 1" PVC PORT TUBE: OD = 2.68CM, ID = 2.1CM = 3.46 CM<sup>2</sup>  
 PORT LENGTH = 10.48CM = 4.126"

WIDTH = 12.613 = 4.829"  
 HEIGHT = 20.408 = 7.82"  
 DEPTH = 7.795 = 3"

TWEETER: PN 304-050001-00 16 OCT 2000  
 35MM CONE DIA  
 FS = 269HZ  
 RE = 3.29 OHMS  
 QMS = 5.66  
 QES = 1.838  
 QTS = 1.387  
 CMS = 0.0006  
 VAS = 0.0778 (LITERS)  
 EBP = 86.7

NOMINAL COIL RESISTANCE @ 930HZ (MID LINEAR BAND) 3.471 OHMS  
 NOMINAL COIL INDUCTANCE (@ 1KHZ) 0.153 MHENRY

**BLACK ROSE TECHNOLOGY**  
 5233 FOOTHILL BLVD., OAKLAND, CA 94610  
 (510) 290-3849

TITLE		
DUAL 80MM ENCL		
DRAWING NUMBER		REV
BRT-SPKR-001		3
SIZE	SCALE	SHEET
B	1.000	7 OF 7

4

3

2

1